


[Cryogenic Valves](#) [Safety Valves](#) [Standard Valves](#)
[Contact form](#)

[Deutsche Version](#)
[Product range](#)
[Cryogenic services](#)
[Safety valves](#)
[DIN EN Standard valves](#)
[Trafo valves](#)
[News](#)
[Company](#)
[Press](#)
[FAQ](#)
[Service center](#)
[Contact](#)

Type 06216, Type 06217 - Safety Valve

Safety Valves, brass,
type tested TÜV-SV.1090 D/G

Standard safety valve with FPM valve seal, open bonnet, with discharge holes Inlet: male thread type G (BSPP) acc. to ISO 228/1

Part No. 06216.X.0000

Part No. 06217.X.0000

with lifting device

Available options - on request only:

- discharge holes with protection cap
- stainless steel spring - material 1.4571
- external parts nickel plated

Applications:

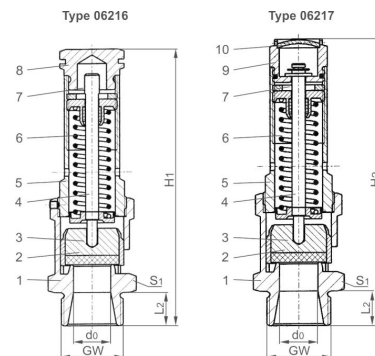
Provided as safety device for protection against excessive pressure in stationary and moveable pressure vessels.

Approved for air and similar gases.

Working temperature: -40°C / -40°F (233K) up to +200°C / +392°F (473K)



Materials	DIN EN	ASME Code Case 1750-20
1 Body	CW617N	EN 12165
2 Valve seal	FPM (Viton-GLT)	
3 Disc	CW614N	EN 12164
4 Stem	CW614N	EN 12164
5 Bonnet	CW614N	EN 12164
6 Spring	1.1200	A 576 Grade 1045
7 Stem guide	PTFE	
8 Cap	CW614N	EN 12164
9 Lifting device	CW614N	EN 12164
10 Closing cap	CW507L	B 30 UNS C26800



Essential: Valves are delivered at a set pressure, therefore when ordering please confirm set pressure, medium and temperature.

Standard marking acc. to Pressure Equipment Directive 97/23/EG (PED).



Marking acc. to ASME Code Section VIII will only be carried out by written notice on purchase order.



Type 06216, Type 06217	Technical data						
Nominal size	GW	1/2	3/4	1	1-1/4	1-1/2	2
Orifice	d ₀	12	15	20	25	32	40
Dimension code	.X.	0400	0600	1000	1200	1400	2000
Set pressure range	bar	0.2-25	0.2-30	0.2-30	0.2-22	0.2-16	0.2-12
Height	H	109	126	153	175	202	230
Length	L ₂	14	16	18	20	22	25
Wrench size across flats	S ₁	27	32	41	50	55	70
Weight	ca. kg	0.25	0.41	0.72	1.23	1.73	3.09
Coeff. of discharge from 3.0 bar	α _w	0.82	0.83	0.73	0.71	0.69	0.66


[Datasheet \(en\)](#)
[Datenblatt \(de\)](#)
[CE approval](#)
[Vd TÜV type test approval](#)
[Installation/operating instruction](#)
[Conformity declaration](#)

[Type 55177 - Protection Cap](#)

Dimensions in mm.

Discharge capacities
Calculation of mass flow acc. to AD2000-Merkblatt A2

Medium:
Air in m³/h at 0°C and 1013.25 mbar

The capacity indicated below is for a fully opened valve.

d_0 - orifice
 A_0 - flow area

Set pressure in bar (ü)	GW	1/2	3/4	1	1-1/4	1-1/2	2
	d_0 (mm)	12.0	15.0	20.0	25.0	32.0	40.0
	A_0 (mm ²)	113.1	176.7	314.2	490.9	804.3	1256.6
	Medium	Air					
0.2		49	78	128	193	317	436
0.5		83	133	210	308	517	711
1.0		123	195	307	459	775	1290
2.0		200	317	495	752	1214	2198
3.0		276	431	675	1026	1633	3121
4.0		346	542	847	1287	2050	3970
5.0		418	653	1021	1552	2472	4830
6.0		488	763	1194	1815	2890	5681
7.0		559	874	1367	2077	3307	6532
8.0		632	987	1544	2346	3736	7406
9.0		702	1098	1717	2609	4155	8259
10.0		775	1211	1894	2878	4583	9131
12.0		917	1433	2241	3405	5423	10842
14.0		1059	1655	2588	3933	6262	-
16.0		1201	1877	2935	4460	7102	-
18.0		1343	2099	3281	4987	-	-
20.0		1499	2343	3663	5567	-	-
22.0		1642	2567	4013	6099	-	-
25.0		1857	2903	4539	-	-	-
26.0		-	3015	4714	-	-	-
28.0		-	3238	5064	-	-	-
30.0		-	3495	5465	-	-	-