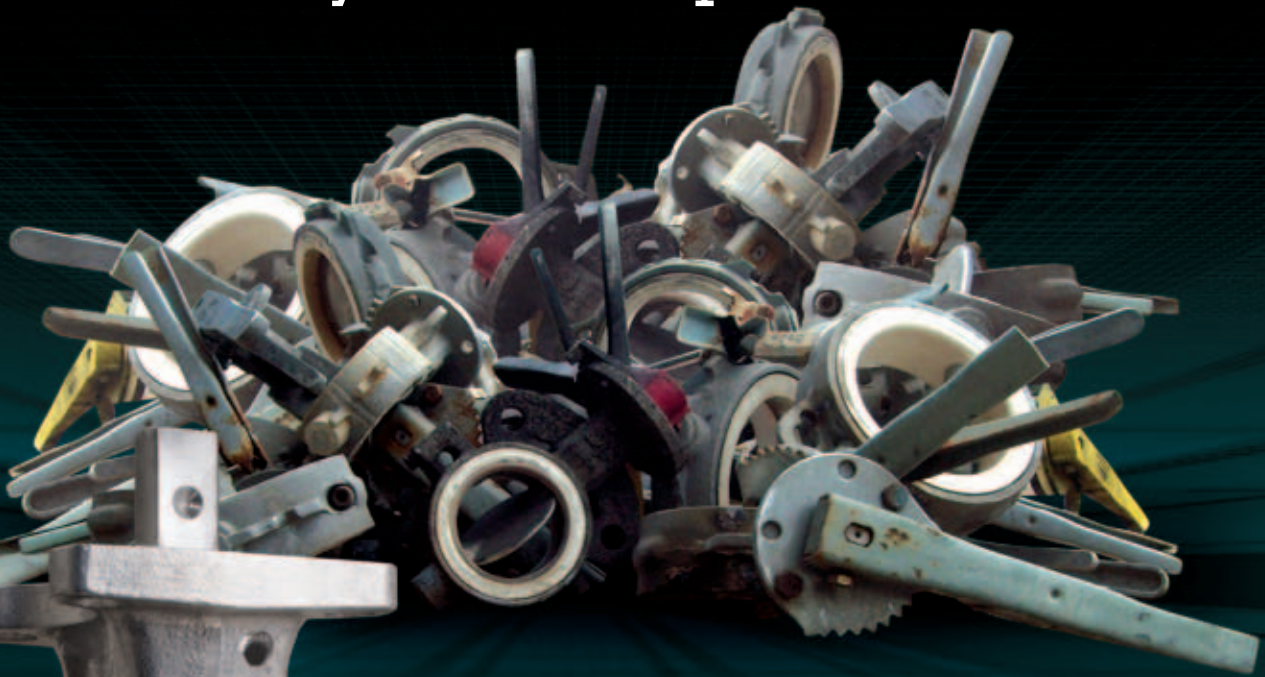


Chances are if you bought a butterfly valve in the last 2 years it's in a pile somewhere.



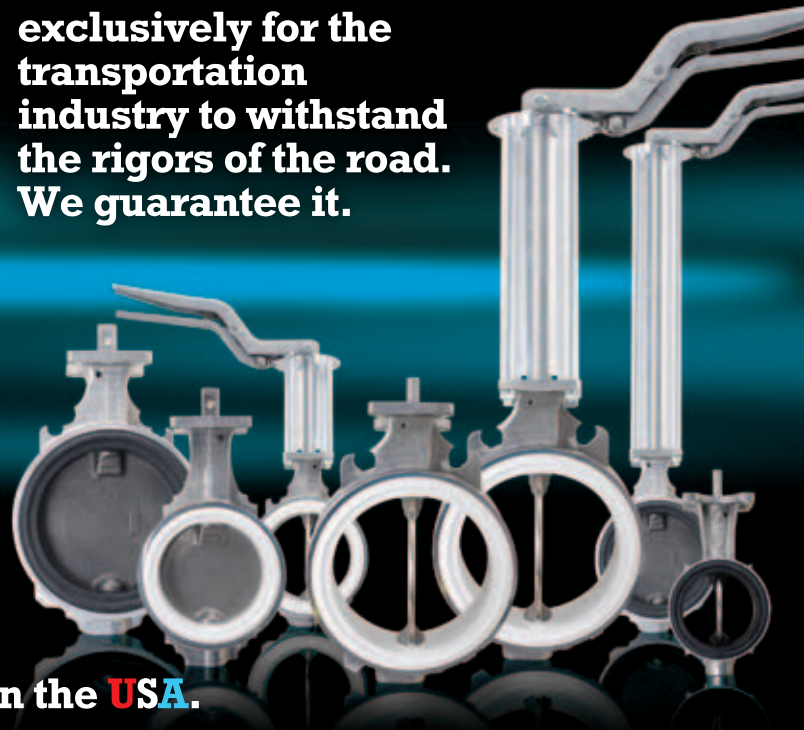
introducing...

MAXXLIFE

Transportation Butterfly Valves from

B.T.I.

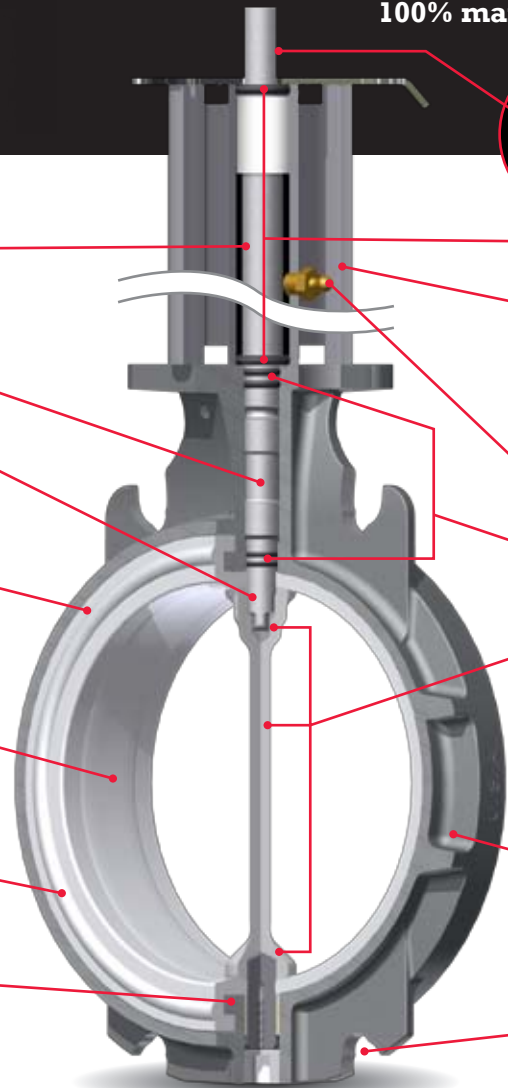
**The only valve
manufactured
exclusively for the
transportation
industry to withstand
the rigors of the road.
We guarantee it.**



100% manufactured and assembled in the USA.

MaxxLife does what its name says...it's guaranteed to outlast, outperform, and provide the easiest operation.

100% manufactured and assembled in the USA.



Recess in top stem for handle locking bolt to ensure secure handle connection to stem.

FEATURES AND BENEFITS

Industry's first all-in-one valve stem available in sizes up to 36 inches. Avoid costly and heavy fabricated stems that cause high operating torques and premature valve failure.

Upper stem seal lubrication chamber - stores lubrication for longer valve life.

Double D stepped stem design creates stronger stem to disc connection and allows smaller disc hubs.

All-in-one specially blended valve seat that can be used for all applications. FDA compliant, abrasion resistant rubber that will not turn hard and cause valve failure, resisting temperature extremes from -40 to 300 degrees Fahrenheit.

Slightly raised radius section in center of seat along with new spherical recessed hub design seat creates less operating torque and assures 100% closures with no leaks.

Larger diameter o-ring with square interior edge of seat for better seating surface with less contamination.

Seat interlocks to body preventing rolled seats when installing between flanges; a typical problem with dove tail design seats on the market today.

O-rings placed top and bottom of stem extension provide an absolute seal to salt and road grime.

New design extendable neck housing is made of light weight yet strong aluminum extrusion, all one piece to desired length, no welded flanges and bolting hardware. New design eliminates costly and heavy fabricated stem extensions like other butterfly valves on the market today.

Grease fitting allows for additional lubrication and extended wear.

Four o-ring shaft seals to totally isolate upper stem and seal out harsh road chemicals.

HIGHEST FLOW VALVE ON THE MARKET TODAY

Super thin disc design with smaller hubs in flow path means the highest flow butterfly valve in the transportation industry. Up to 20% more! Ductile disc version requires NO external hardware that decreases flow and possible contamination to load.

LIGHTEST, STRONGEST BODY ON THE MARKET TODAY

The body is the lightest, strongest and most corrosion resistant in the industry. Made of a superior aircraft aluminum with a sealed finish for years of non interrupted service.

Body has top and bottom alignment lugs to self align to mating flanges on all tank trailers.

This is NOT your father's butterfly valve.

Visit a tank trailer maintenance shop and see how many valves are discarded because of premature failure. They didn't wear out; the top stem seized up at the top bushing, or the seat became rock hard and failed under extreme heat. Thousands of dollars are wasted along with the time and frustration incurred by operators trying to unload product with stiff and hard to operate product valves. These two problems are eliminated with MaxxLife Butterfly Valves.

Stronger, lighter weight, and more corrosion and abrasion resistant, the valve features an extendable neck for ease of operation, a 1-piece direct drive stem to disc connection and doesn't require any connecting adapters, welded parts or hardware as all other industry standard butterfly valves do. A new specially formulated valve seat that will not harden even under extreme temperatures, a super thin disc design that can increase flow up to 20%, **AND 100% of all materials manufactured and assembled in the U.S.A.**

BTI guarantees this to be the longest lasting valve you have ever owned. Period.

Heat and corrosion are the enemies of conventional valves, causing them to seize up and turning ordinary valve seats into rock hard, valve-seizing nightmares. MaxxLife Valves are built with an All-in-One, specially blended valve seat that can be used for all applications. It is an FDA compliant, abrasion resistant rubber that will not turn hard and cause valve failure, resisting temperature extremes from -40 to 300 degrees Fahrenheit. These valves also feature a special sealing, lubricated top stem design that keeps out corrosion.

B.T.I.'s MaxxLife Butterfly Valve will be available in 3, 4, 5, 6 and 8-inch sizes.

WEIGHT COMPARISONS

Bare stem valve weights (lbs)

Valve Size	BTI MaxxLife	Competition
3"	2.50	4
4"	4.25	7
5"	5.55	8
6"	7.01	9
8"	12.75	18.5

Comparison of neck extension weights

BTI MaxxLife	0.276 lbs./inch 36" extension	10 lbs
Competition	0.451 lbs./inch 36" extension plus 1.673 lbs fixed weight	18 lbs



1-800-841-5524 • Purchase online at www.bulktankinc.com

400 Parkway Drive • Park Hills, MO 63601 • 573-518-0600 • Fax: 573-518-0551